

E360 Installation manual

Version 1.00



1	Important Notices	3
1.1	Limited Warranty	3
1.2	Packing Lists	4
2	Technical Data	5
2.1	Connections	5
2.1.1	NMEA2000 M12 connector pinout	5
2.2	General specifications	5
3	Dimensions	6
3.1	General dimensions of the E360 instrument	6
3.2	General dimensions of the screen cover protection	7
4	Cutout dimensions	9
5	Typical Installation	10
6	Revision history	11

1 Important Notices

Information in this document is subject to change without notice. LXNAV reserves the right to change or improve their products and to make changes in the content of this material without obligation to notify any person or organization of such changes or improvements.



A Yellow triangle is shown for parts of the manual which should be read very carefully and are important when operating the E350/E360/E500/E700/E900.



Notes with a red triangle describe procedures which are critical and may result in loss of data or any other critical situation.



A bulb icon is shown when a useful hint is provided to the reader.

1.1 Limited Warranty

This product is warranted to be free from defects in materials or workmanship for two years from the date of purchase. Within this period, LXNAV will, at its sole option, repair or replace any components that fail in normal use. Such repairs or replacement will be made at no charge to the customer for parts and labour, provided that the customer pays for shipping costs. This warranty does not cover failures due to abuse, misuse, accident, or unauthorized alterations or repairs.

THE WARRANTIES AND REMEDIES CONTAINED HEREIN ARE EXCLUSIVE AND IN LIEU OF ALL OTHER WARRANTIES EXPRESSED OR IMPLIED OR STATUTORY, INCLUDING ANY LIABILITY ARISING UNDER ANY WARRANTY OF MERCHANTABILITY OR FITNESS FOR A PARTICULAR PURPOSE, STATUTORY OR OTHERWISE. THIS WARRANTY GIVES YOU SPECIFIC LEGAL RIGHTS, WHICH MAY VARY FROM STATE TO STATE.

IN NO EVENT SHALL LXNAV BE LIABLE FOR ANY INCIDENTAL, SPECIAL, INDIRECT OR CONSEQUENTIAL DAMAGES, WHETHER RESULTING FROM THE USE, MISUSE, OR INABILITY TO USE THIS PRODUCT OR FROM DEFECTS IN THE PRODUCT.

Some states do not allow the exclusion of incidental or consequential damages, so the above limitations may not apply to you. LXNAV retains the exclusive right to repair or replace the unit or software, or to offer a full refund of the purchase price, at its sole discretion. SUCH REMEDY SHALL BE YOUR SOLE AND EXCLUSIVE REMEDY FOR ANY BREACH OF WARRANTY.

To obtain warranty service, contact your local LXNAV dealer or contact LXNAV directly.

1.2 Packing Lists

- E360
- E360 Mounting material
- Installation and user's manual

2 Technical Data

2.1 Connections

2.1.1 NMEA2000 M12 connector pinout

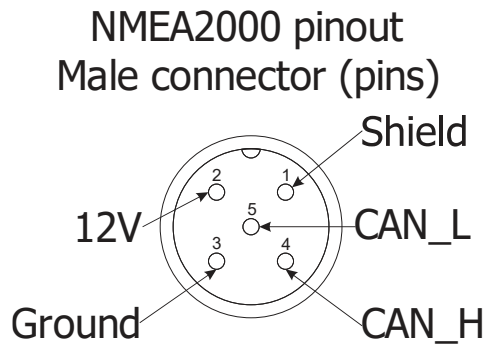


Figure 1: NMEA2000 Male connector pinout

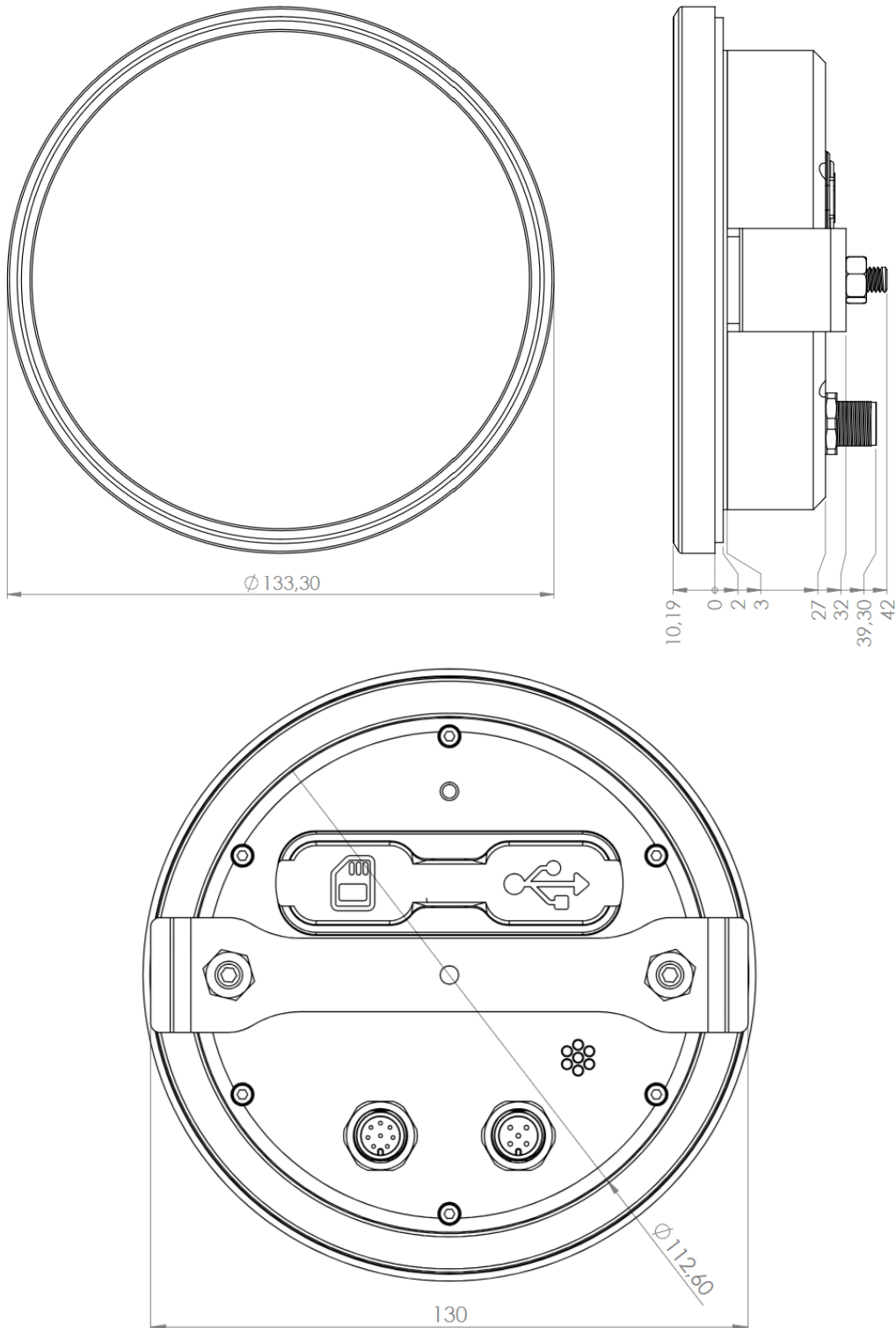
2.2 General specifications

Parameter	Condition	Min	Typ	Max	Unit
Operating supply voltage ⁽¹⁾		8	12	28	V
Current consumption ⁽¹⁾			550		mA
Load equivalent number			7.2		LEN
Operating temperature		-20		+60	°C
Recommended humidity		0		95	RH
Weight			520		g
Outer diameter			135		mm
Depth			34		mm
With connectors			45		mm
Ingress Protection			IPX6		
LCD diagonal size			4"		Inch
LCD resolution			720 x 720		pixel

3 Dimensions

3.1 General dimensions of the E360 instrument

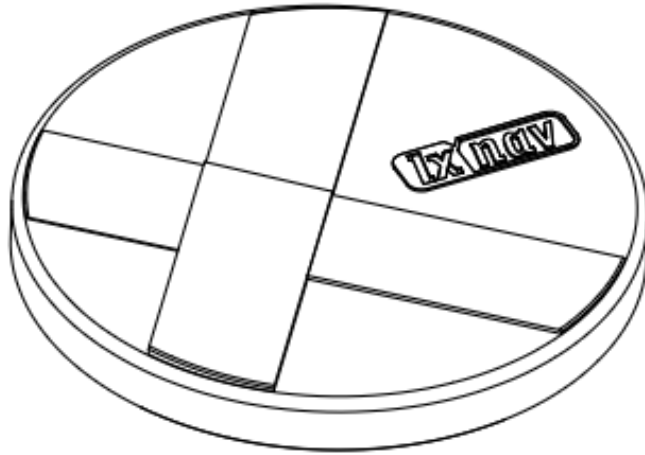
All measurements are in mm.



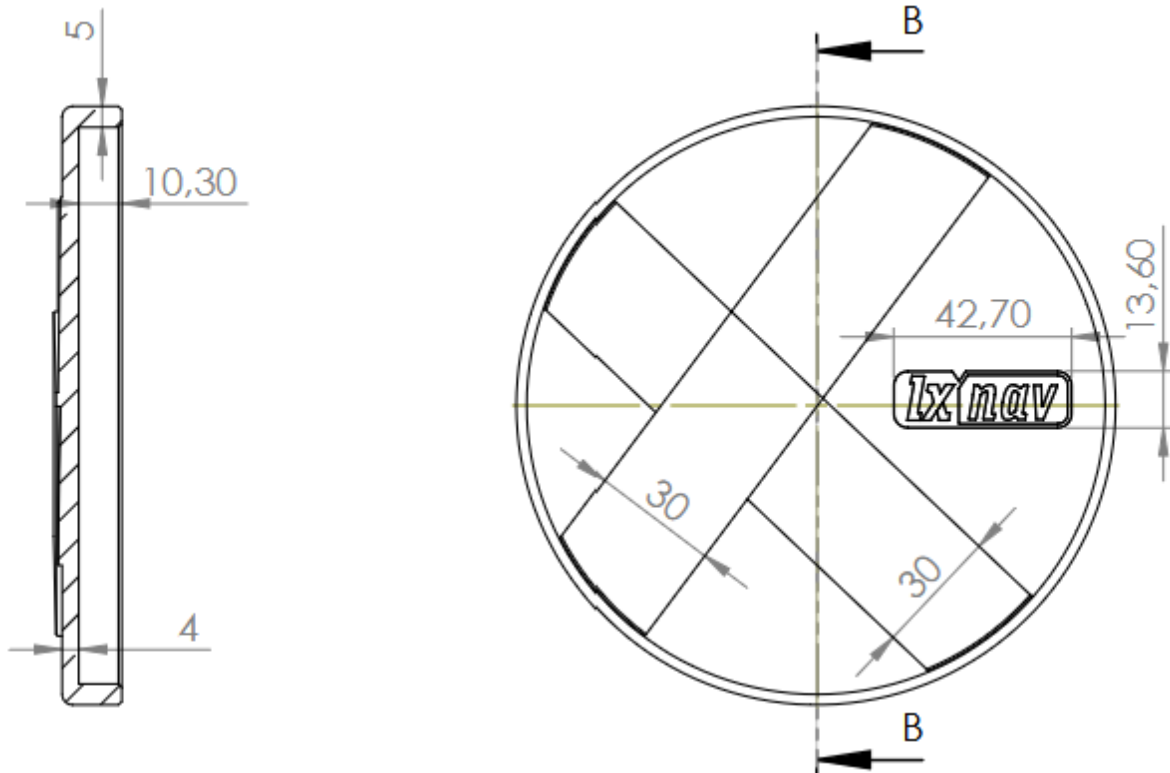
3.2 General dimensions of the screen cover protection

All measurements are in mm.

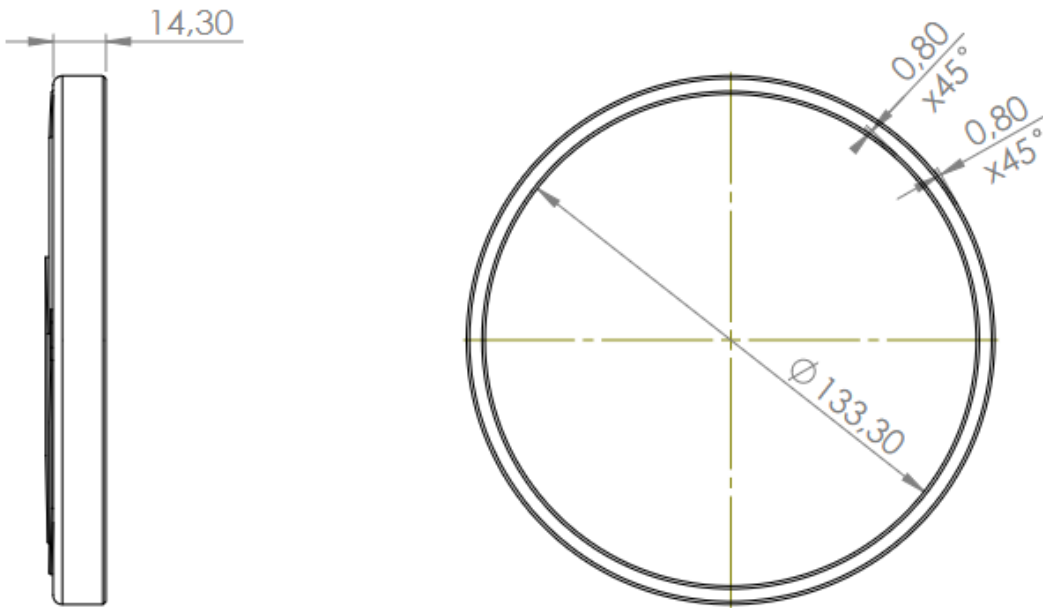
3D view:



Front cover view

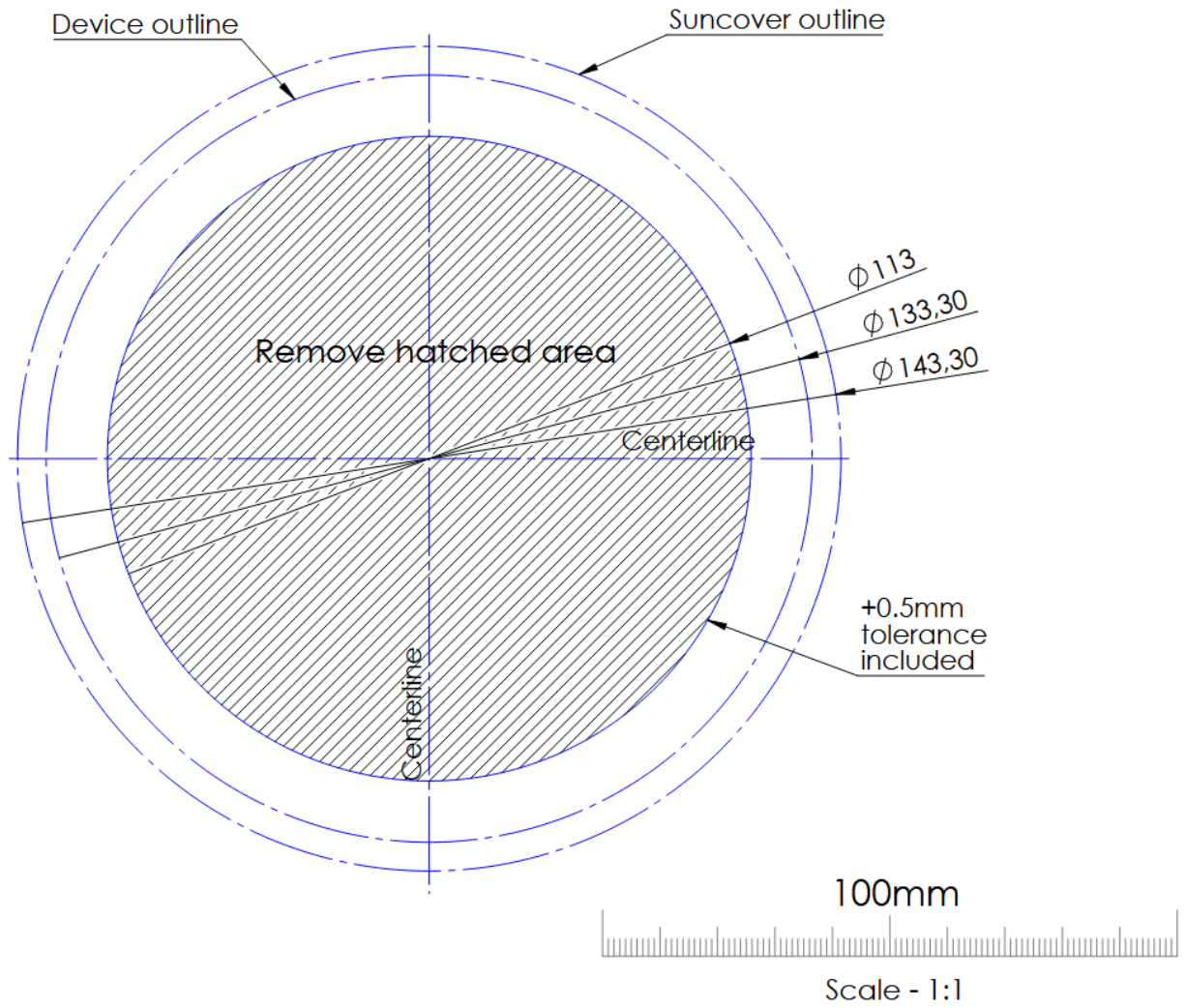


Back cover view



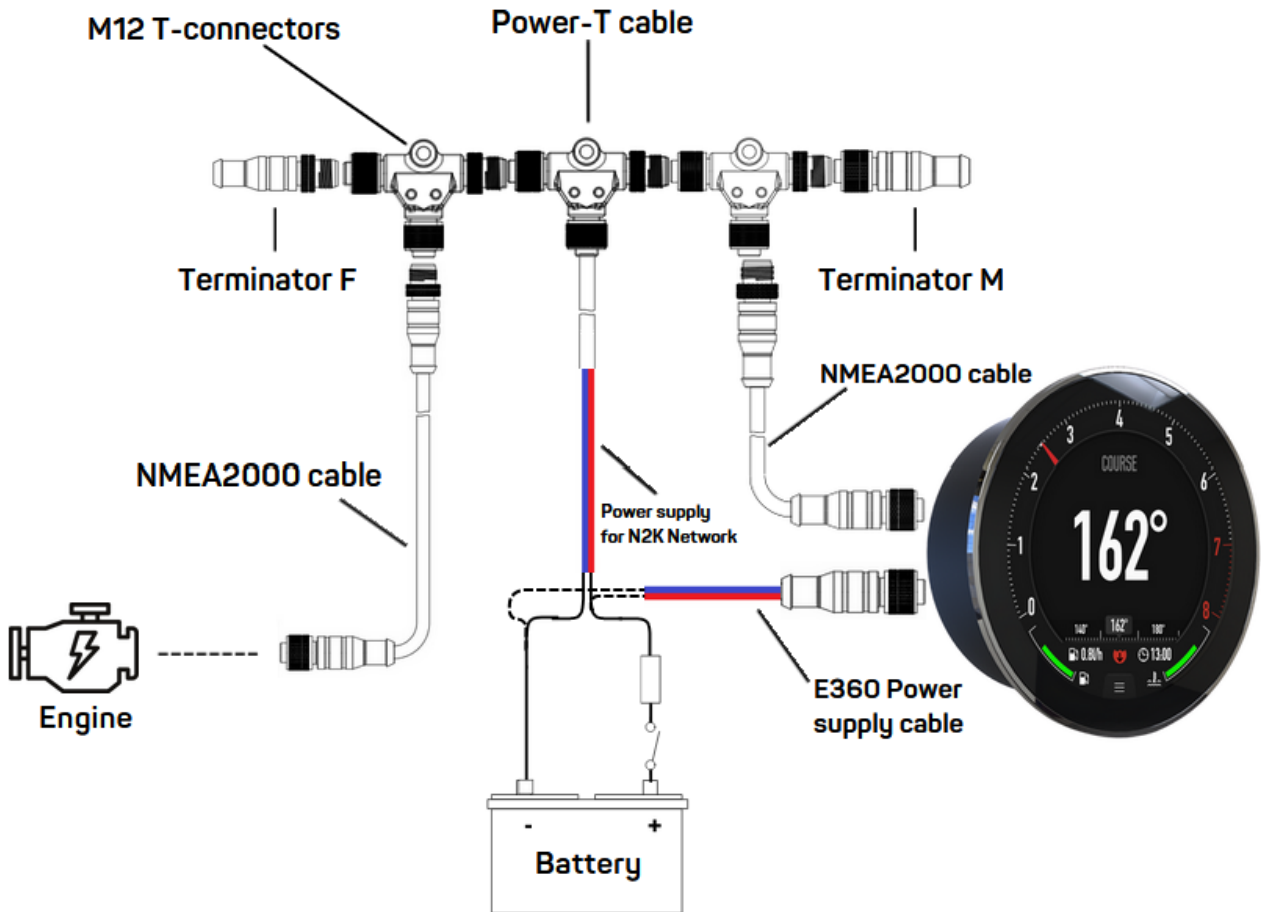
4 Cutout dimensions

For technical drawings in other formats please contact info@lxnav.com



5 Typical Installation

Sample of connected device on the NMEA2000 backbone.



6 Revision history

Date	Version	Description
March 2025	1.0	Initial release of this manual